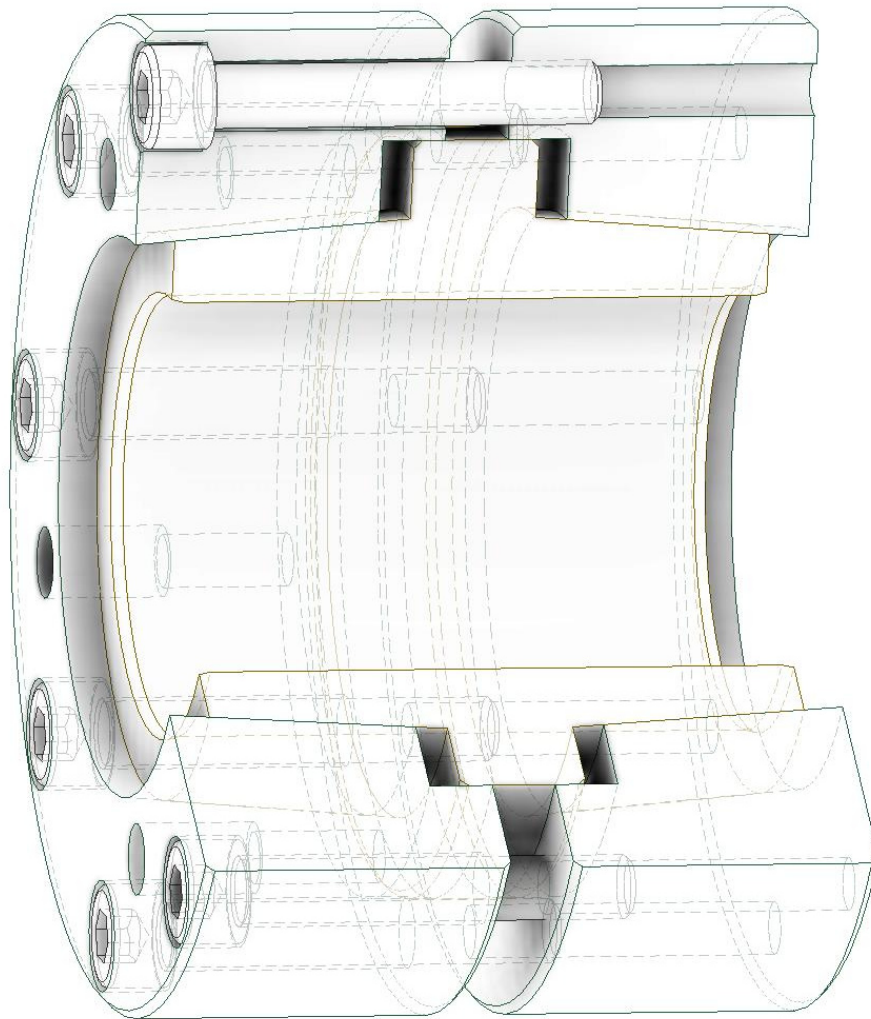


DOBIKON 7040
Installation Manual



Only available from BIKON-Technik GmbH • 41468 Neuss • Germany

A development of BIKON-Technik GmbH - introduction on global market in year 1988

Index:

We reserve all rights with regard to this technical data and its content. Without our prior written approval it is not allowed to duplicate this technical data or parts of it, nor to grant access to it by third parties or to exploit it otherwise (including extracts) without authority.

All topics and specification dealt with are only valid for original „BIKON“ or „DOBIKON“ products.

We will not accept any liability for damages arising from misinterpretation, application or constructional flaws (regarding equipment wherein our products shall be installed). All information is based upon our knowledge of the current state of the art at the draft date of this technical data.

We refer to our trademark and further intellectual property rights as well as our conditions of sale that shall apply.

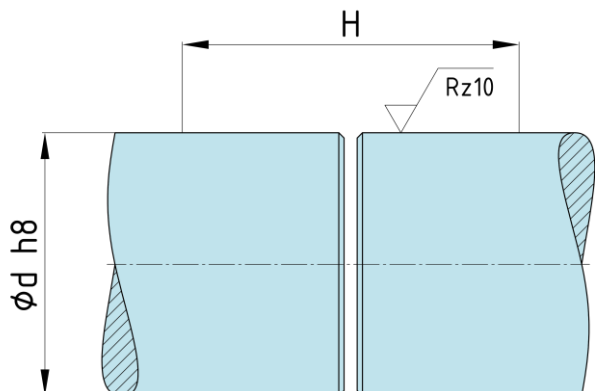
April 2023

DOBIKON 7040

Shafts with keyways

BIKON shaft couplings can be tightened over keyways (according to DIN) on shafts. The function of the shaft couplings is not affected.

Space - DOBIKON 7040



d	D	H	d	D	H
mm	mm	mm	mm	mm	mm
38	100	80	80	160	112
40	100	80	85	180	112
45	115	86	90	180	112
50	115	86	100	195	132
55	125	86	110	205	132
60	125	86	120	215	132
65	150	112	130	240	165
70	150	112	140	250	165
75	160	112	150	260	165

TA – Tightening torque of screws

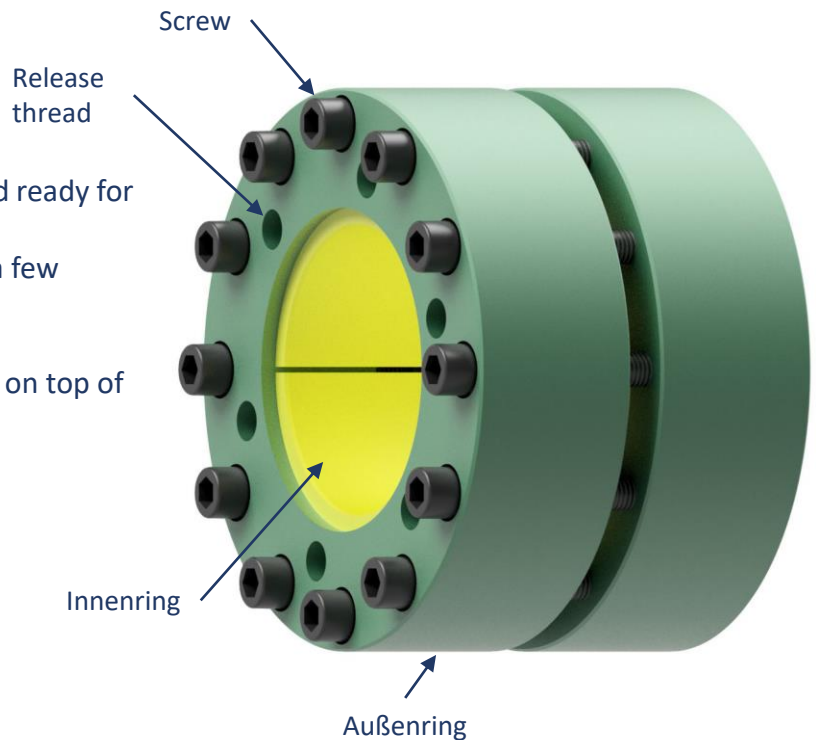
d	M	TA	d	M	TA
mm	-	Nm	mm	-	Nm
38	M8	41	80	M10	83
40	M8	41	85	M12	145
45	M8	41	90	M12	145
50	M8	41	100	M12	145
55	M8	41	110	M12	145
60	M8	41	120	M12	145
65	M10	83	130	M14	230
70	M10	83	140	M14	230
75	M10	83	150	M14	230

Installation

1.

BIKON shaft couplings are delivered ready for installation and oiled.
The screws have been unscrewed a few threads.

Make sure that the rings fit loosely on top of each other (self-locking cone).



2.

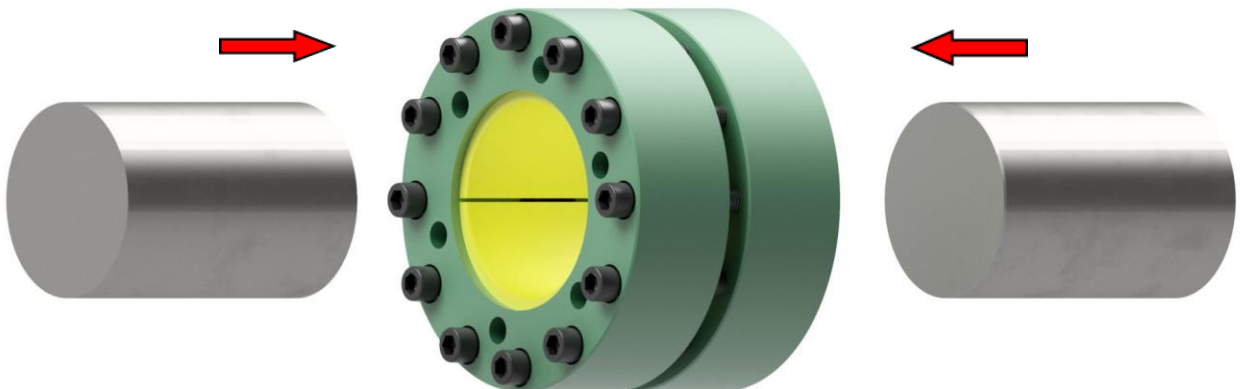
Before pushing on the shaft coupling, the shaft ends and bore of the shaft coupling can be degreased.

If the shaft and bore are oiled, the values for the torque $T_{0,12}$ apply.

With a degreased shaft and bore, the values for the torque $T_{0,15}$ apply.

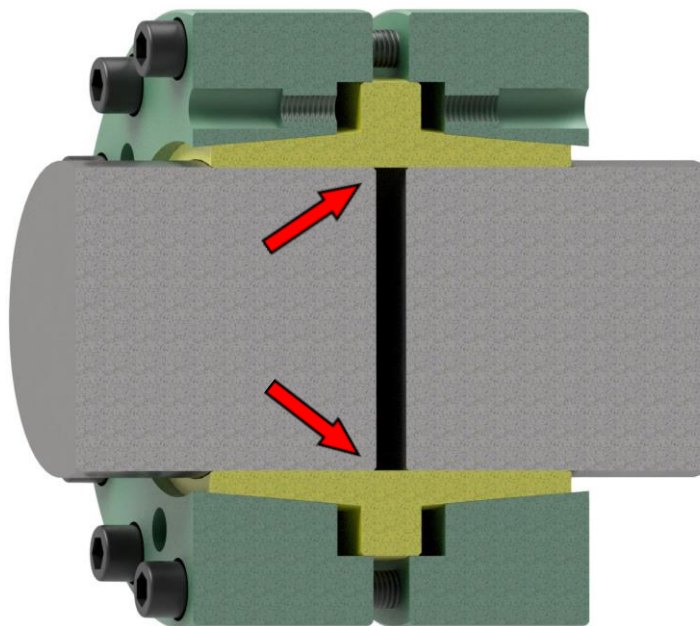
Oil the cones and screws.

Do not use molybdenum disulfide (MoS₂), assembly paste or grease!



Installation

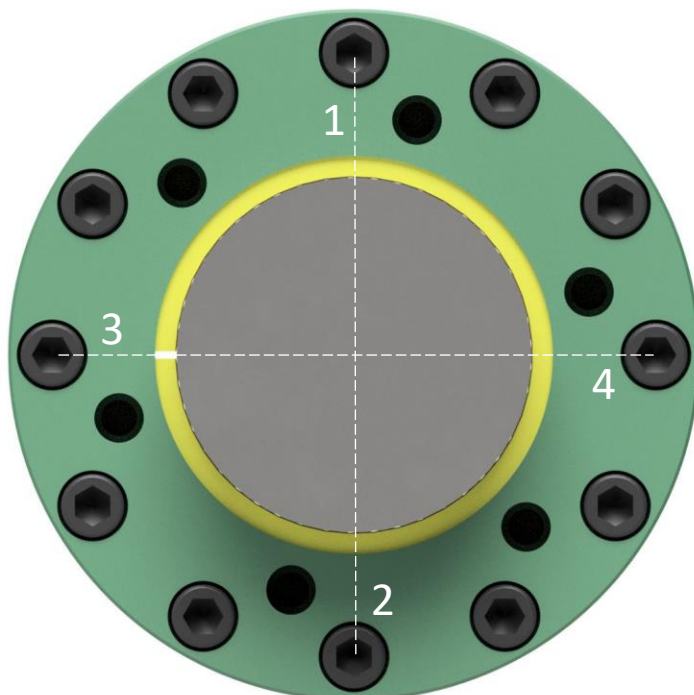
- 3.**
Make sure the shaft coupling is centered on the shaft ends.



- 4.**
Tighten the screws evenly crosswise and in several stages using a torque wrench.

control !

The tightening of the screws and the assembly is complete when no more screws can be tightened with the 100% tightening torque.

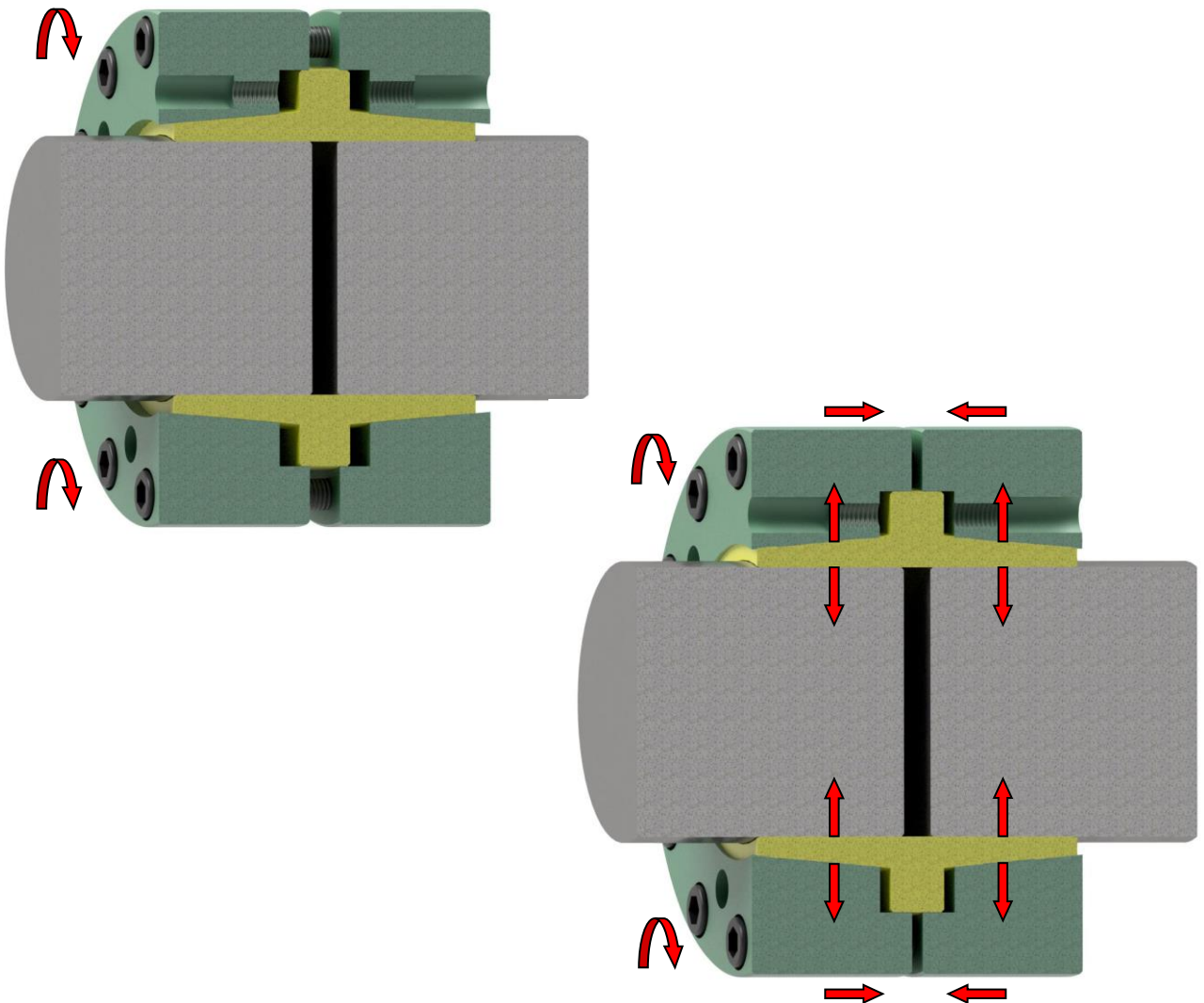


Installation

5.

By tightening the screws, the outer rings slides and tightens the connection. The cones are self-locking and will not loosen by itself if the screws are loosened if it is operated properly.

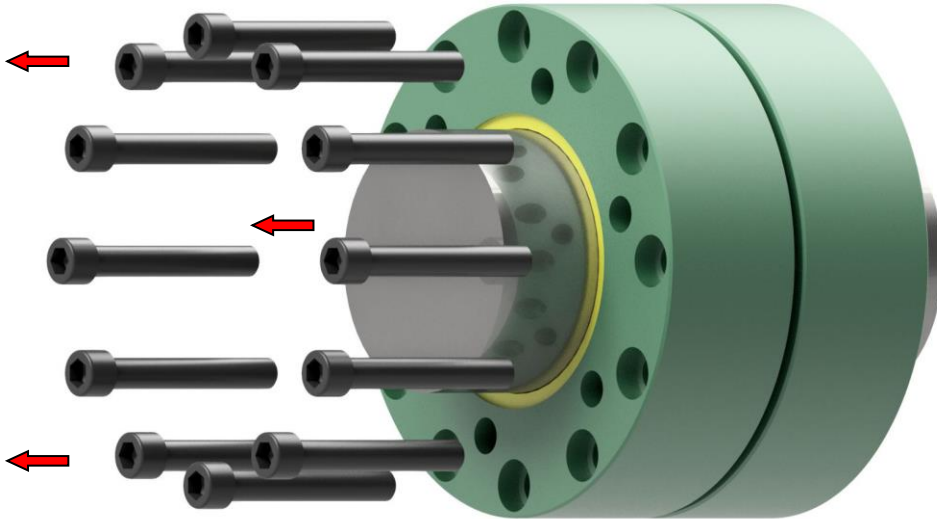
The shaft end does not move in the axial direction during assembly.



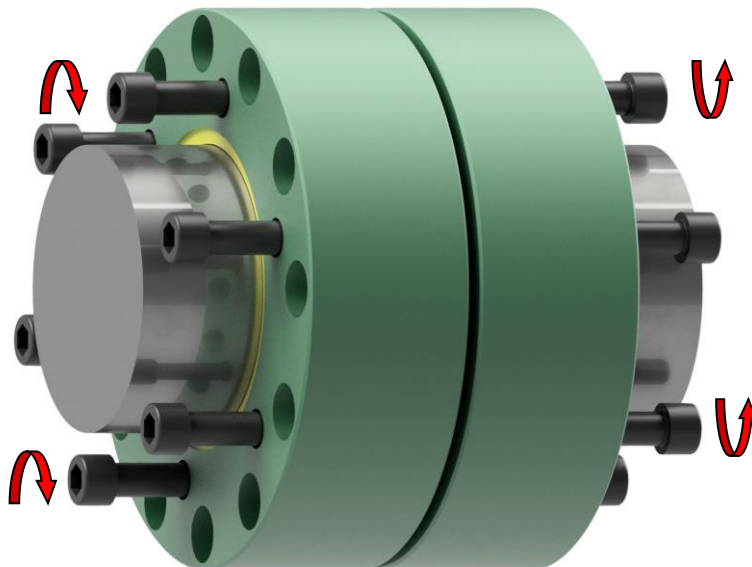
The locking assembly is maintenance-free and the screws do not have to be tightened after a certain period of operation.

Removal

1. Unscrew all screws to loosen the connection.

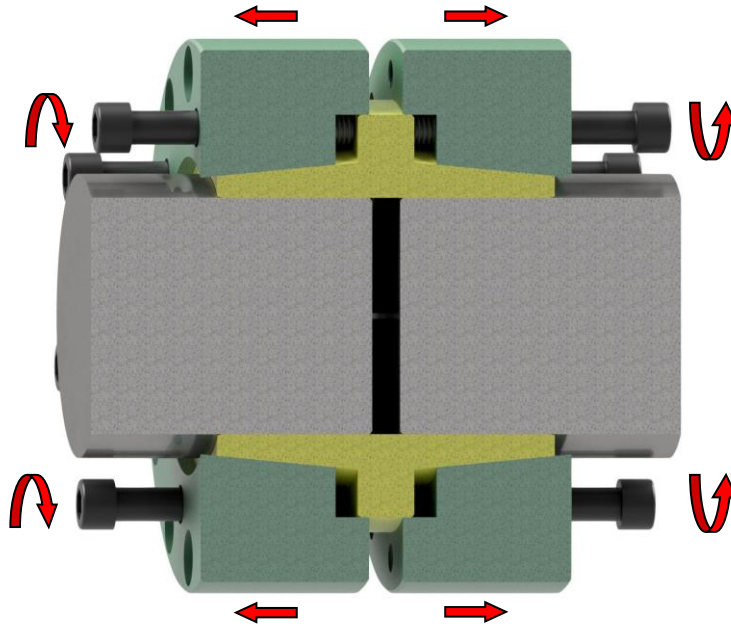


2. Oil the screws and screw them into the release threads .
(grind the release screws flat on the face side before screwing them in)

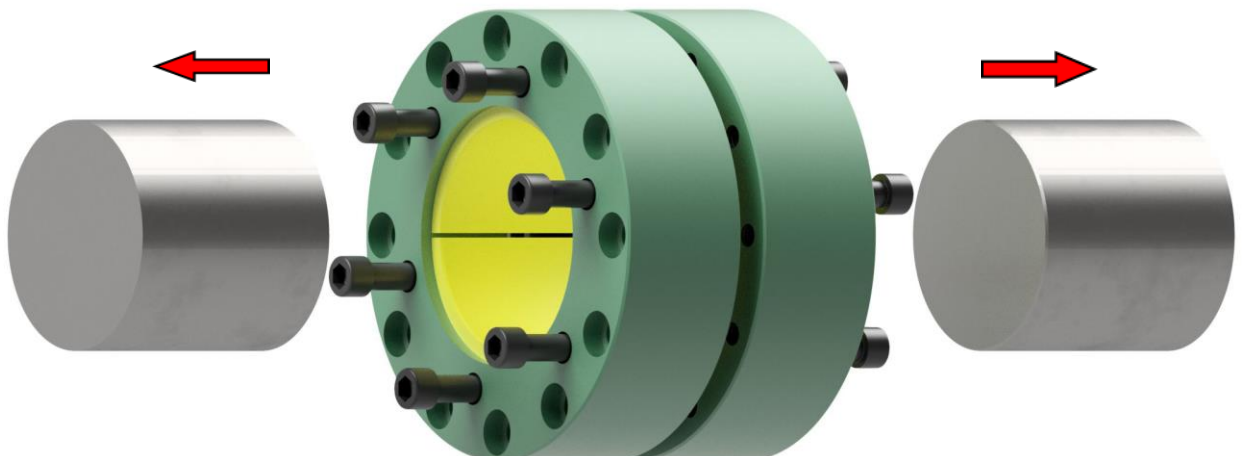


Removal

3. Tighten the screws crosswise with a torque wrench until the outer rings come loose from the inner ring.



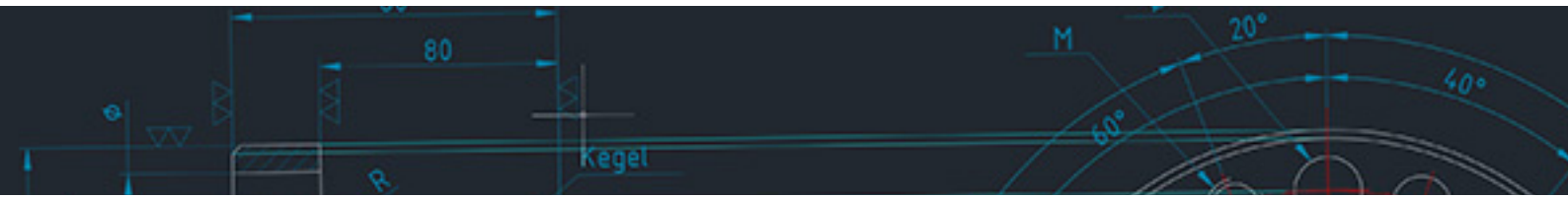
4. Remove the shaft coupling from the shaft ends.



Reusability

Undamaged locking assemblies can be reused.

The screws must be changed after each use!



BIKON-Technik GmbH

Hansemannstrasse 11

41468 Neuss • Germany

Tel. ++49 (0) 2131-71889-0

www.bikon.de

E-Mail info@bikon.de