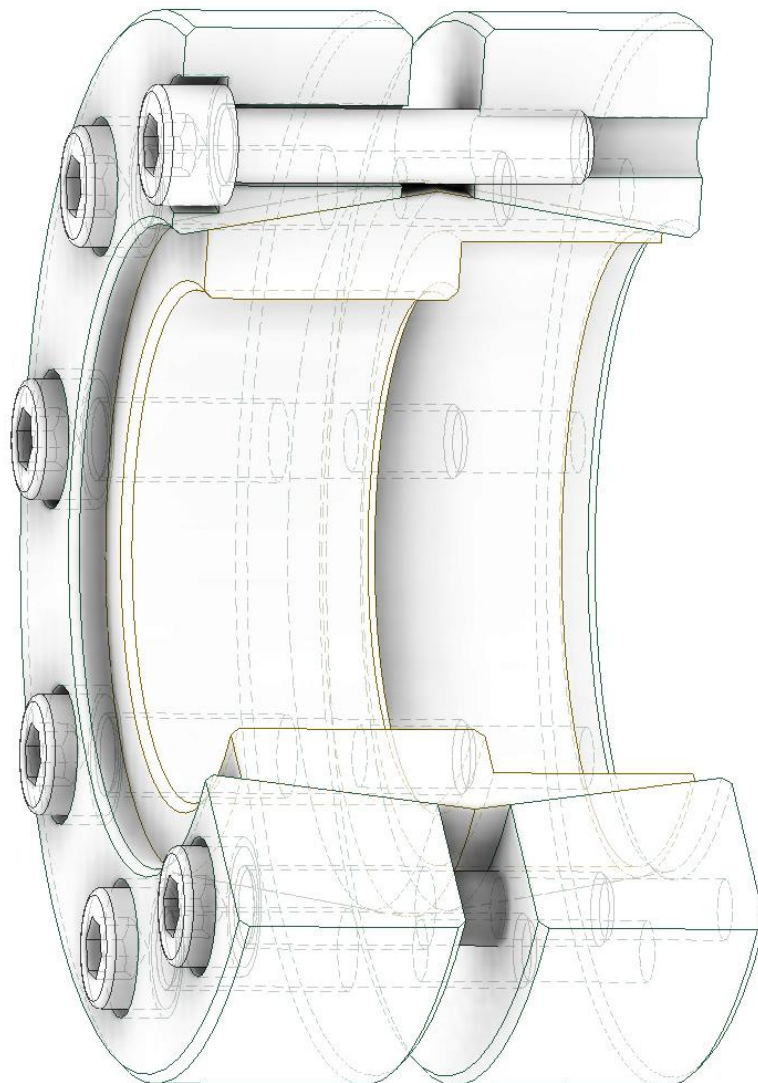


**DOBIKON 2019**  
*Installation Manual*



Only available from BIKON-Technik GmbH • 41468 Neuss • Germany

A development of BIKON-Technik GmbH - introduction on global market in year 1985

## Index:

We reserve all rights with regard to this technical data and its content. Without our prior written approval it is not allowed to duplicate this technical data or parts of it, nor to grant access to it by third parties or to exploit it otherwise (including extracts) without authority.

All topics and specification dealt with are only valid for original „BIKON“ or „DOBIKON“ products.

We will not accept any liability for damages arising from misinterpretation, application or constructional flaws (regarding equipment wherein our products shall be installed). All information is based upon our knowledge of the current state of the art at the draft date of this technical data.

We refer to our trademark and further intellectual property rights as well as our conditions of sale that shall apply.

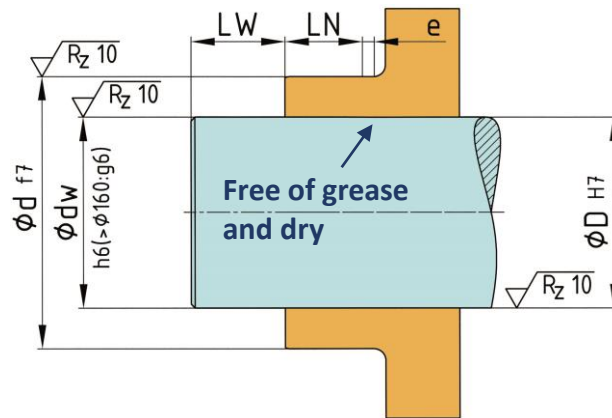
April 2023



**BIKON-Technik GmbH**

Hansemannstrasse 11 · 41468 Neuss · Germany  
Tel. ++49 (0) 2131-71889-0 · [www.bikon.de](http://www.bikon.de) · E-Mail: [info@bikon.de](mailto:info@bikon.de)

## Space - DOBIKON 2019



d	dw	D	LW	LN	e
mm	mm	mm	mm	mm	mm
55	45	100	28	22	4
62	50	110	28	22	4
68	55	115	28	22	4
75	60	130	28	22	4
80	65	145	28	22	4
90	70	155	33	27	4
100	75	170	33	27	4
110	75	170	38	32	4
110	80	170	38	32	4
110	85	170	38	32	4
125	85	195	44	36	4
125	90	195	44	36	4
125	95	195	44	36	4
140	100	215	44	36	4
140	105	215	44	36	4
155	110	230	48	42	4
155	120	230	48	42	4
165	120	250	55	45	8
165	125	250	55	45	8

d	dw	D	LW	LN	e
mm	mm	mm	mm	mm	mm
175	130	270	58	50	8
175	135	270	58	50	8
185	130	285	62	50	8
185	135	285	62	50	8
185	140	285	62	50	8
195	140	300	69	56	10
195	150	300	69	56	10
200	150	310	69	56	10
200	155	310	69	56	10
220	160	330	79	65	10
220	170	330	79	65	10
240	180	370	79	65	10
240	190	370	79	65	10
260	190	400	88	72	10
260	200	400	88	72	10
280	210	425	100	80	10
280	220	425	100	80	10
280	230	425	100	80	10
300	220	450	110	90	12

d	dw	D	LW	LN	e
mm	mm	mm	mm	mm	mm
300	230	450	110	90	12
300	240	450	110	90	12
320	240	480	115	95	12
320	250	480	115	95	12
320	260	480	115	95	12
340	250	510	115	95	12
340	260	510	115	95	12
340	270	510	115	95	12
350	270	525	130	110	12
350	280	525	130	110	12
360	280	550	130	110	12
360	290	550	130	110	12
380	290	570	135	115	12
380	300	570	135	115	12
390	300	590	135	115	12
390	310	590	135	115	12
420	320	630	150	130	12
420	330	630	150	130	12
420	340	630	150	130	12

## TA – Tightening torque of screws

d	dw	M	TA
mm		-	Nm
55	45	M8	41
62	50	M8	41
68	55	M8	41
75	60	M8	41
80	65	M8	41
90	70	M8	41
100	75	M8	41
110	75	M10	83
110	80	M10	83
110	85	M10	83
125	85	M12	145
125	90	M12	145
125	95	M12	145
140	100	M12	145
140	105	M12	145
155	110	M12	145
155	120	M12	145
165	120	M16	355
165	125	M16	355

d	dw	M	TA
mm		-	Nm
175	130	M16	355
175	135	M16	355
185	130	M16	355
185	135	M16	355
185	140	M16	355
195	140	M16	355
195	150	M16	355
200	150	M16	355
200	155	M16	355
220	160	M16	355
220	170	M16	355
240	180	M20	690
240	190	M20	690
260	190	M20	690
260	200	M20	690
280	210	M20	690
280	220	M20	690
280	230	M20	690
300	220	M20	690

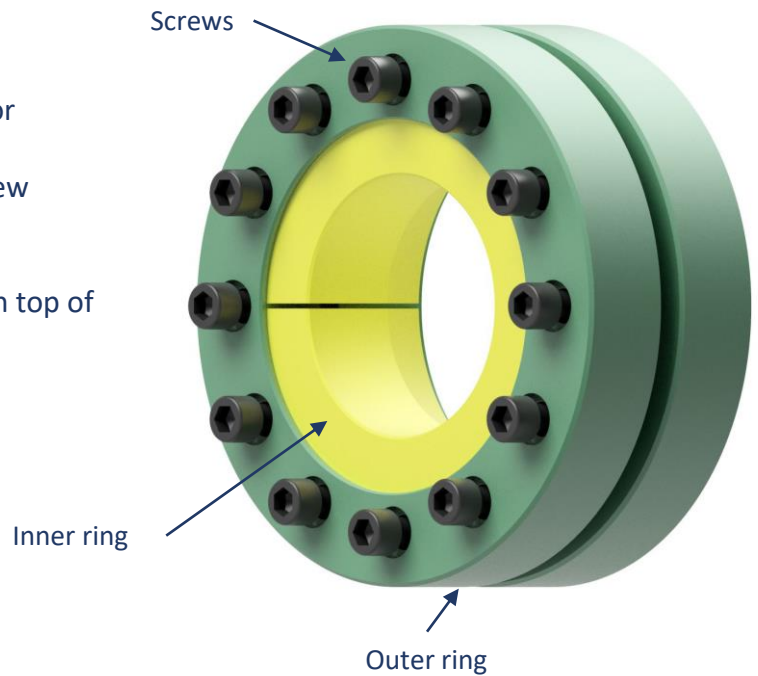
d	dw	M	TA
mm		-	Nm
300	230	M20	690
300	240	M20	690
320	240	M20	690
320	250	M20	690
320	260	M20	690
340	250	M24	1 100
340	260	M24	1 100
340	270	M24	1 100
350	270	M24	1 100
350	280	M24	1 100
360	280	M24	1 100
360	290	M24	1 100
380	290	M24	1 100
380	300	M24	1 100
390	300	M24	1 100
390	310	M24	1 100
420	320	M24	1 100
420	330	M24	1 100
420	340	M24	1 100

## Installation

### 1.

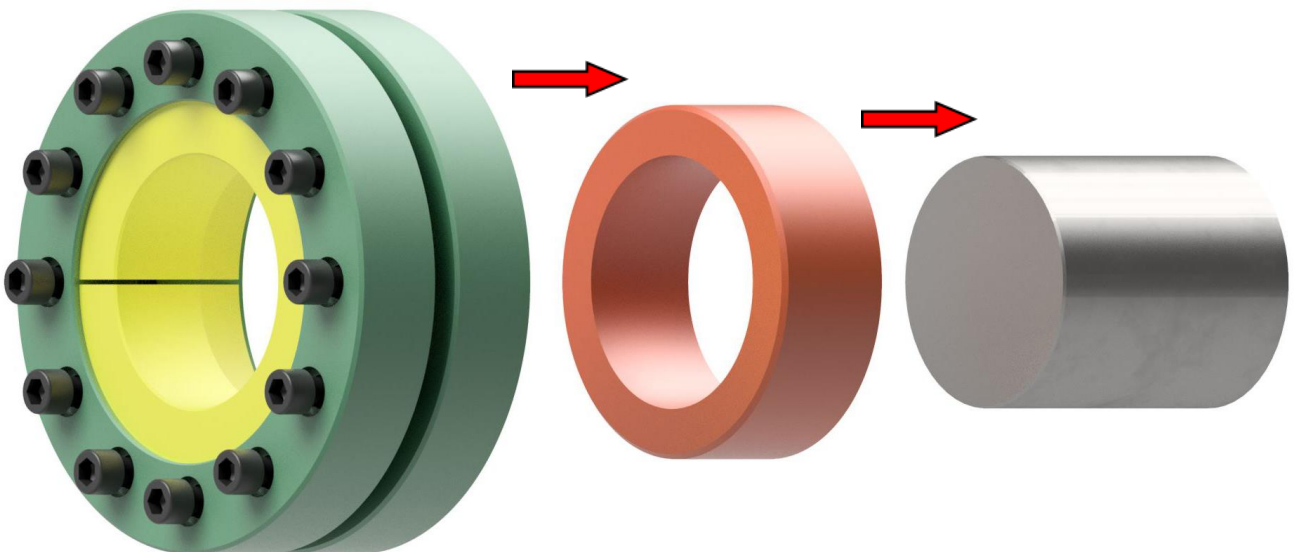
DOBIKON 2019 are delivered ready for installation and oiled.  
The screws have been unscrewed a few threads.

Make sure that the rings fit loosely on top of each other (no self-locking cone).



### 2.

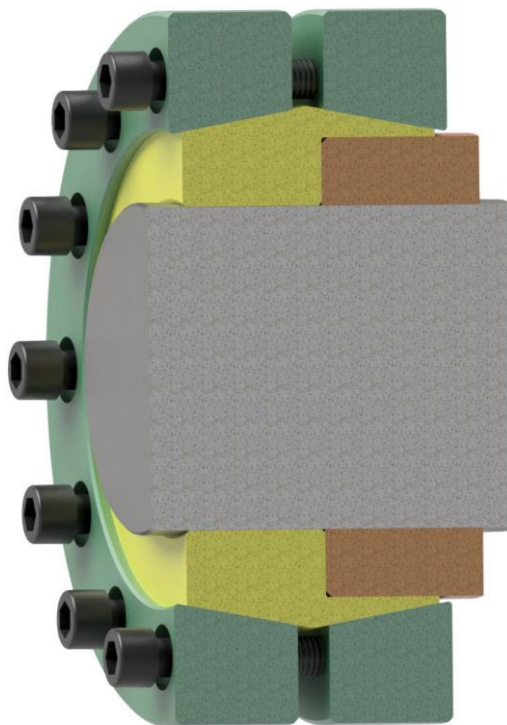
Join the shaft and inner bore of the hub dry and free of grease.  
Slide the shrink disk (oiled) onto the hub.



## Installation

### 3.

The hub and shrink disc must not protrude over the shaft.  
Minimum flush fit required.



### 4.

Tighten the screws evenly one after the other using a torque wrench (not crosswise).

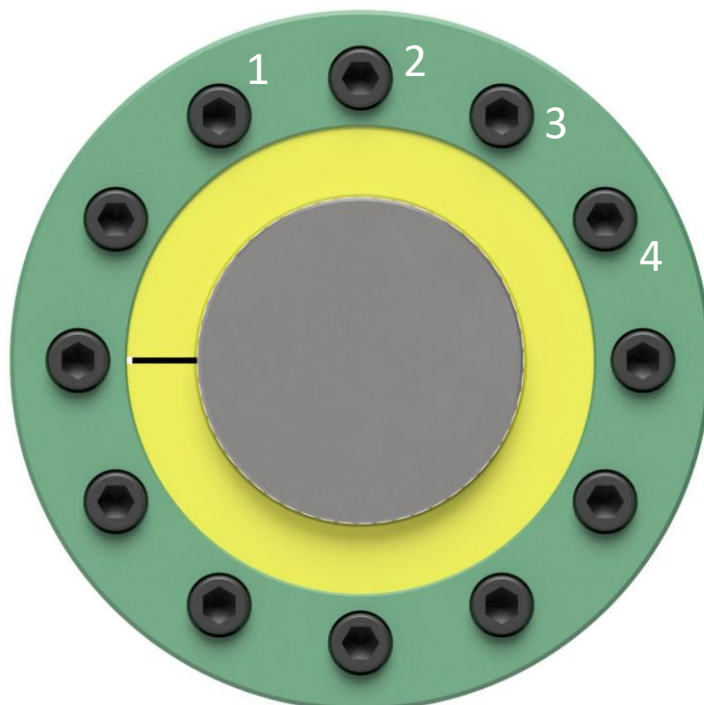
Pay attention to parallel outer rings, avoid tilt. A tightening angle of 30° - 60° has proven practical.

#### control !

The tightening of the screws and the assembly is complete when no more screws can be tightened with the 100% tightening torque.

#### Attention !

Do not clamp a shrink disc without an installed shaft, otherwise plastic deformation of the hub is possible.

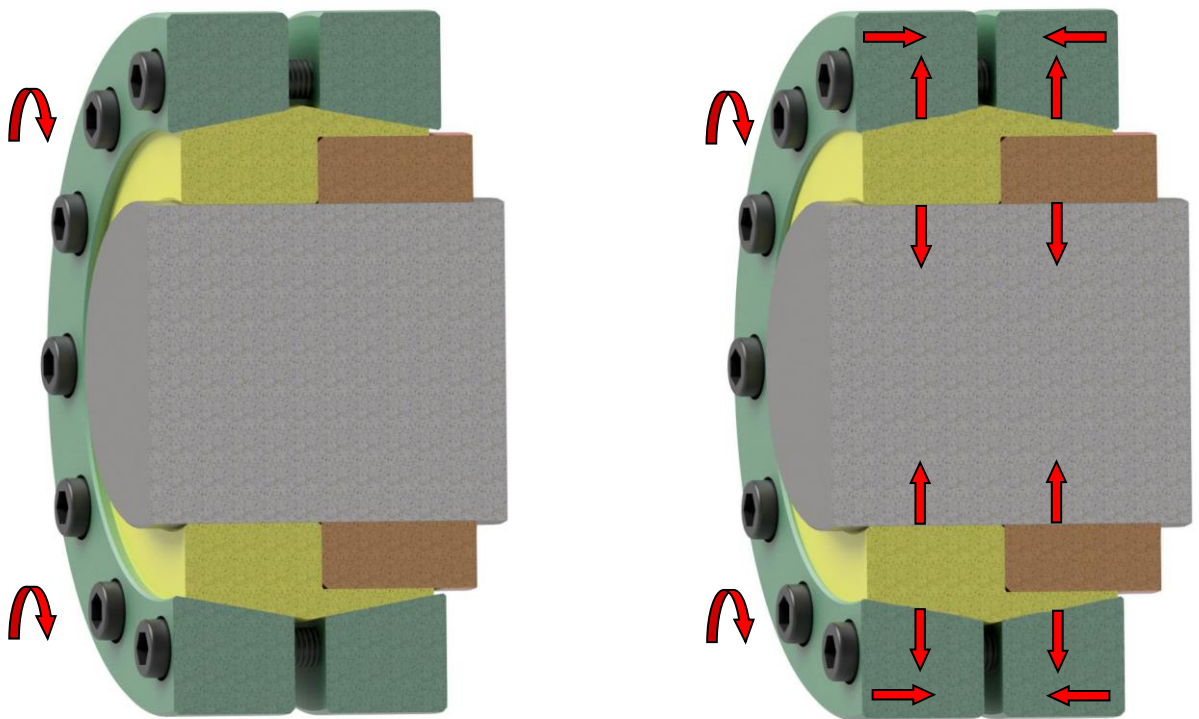


## Installation

5.

By tightening the screws, the outer rings slides and tightens the connection. The cones are not self-locking

The hub does not move in the axial direction during assembly.



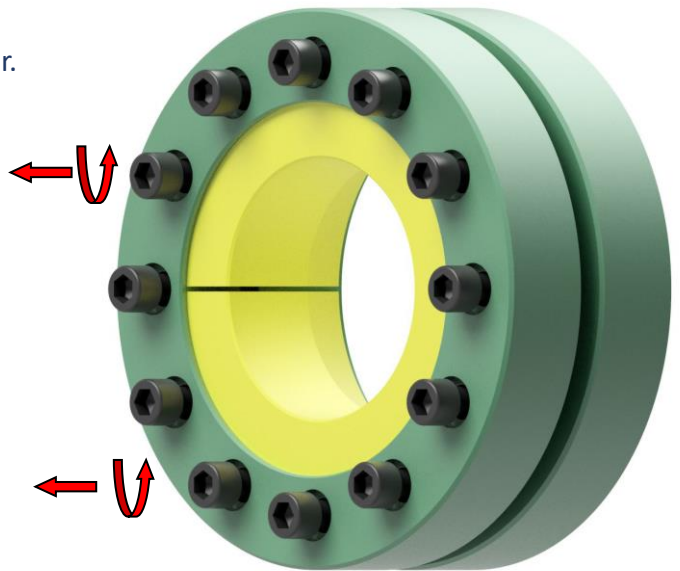
The shrink disk is maintenance-free.

## Removal

### 1.

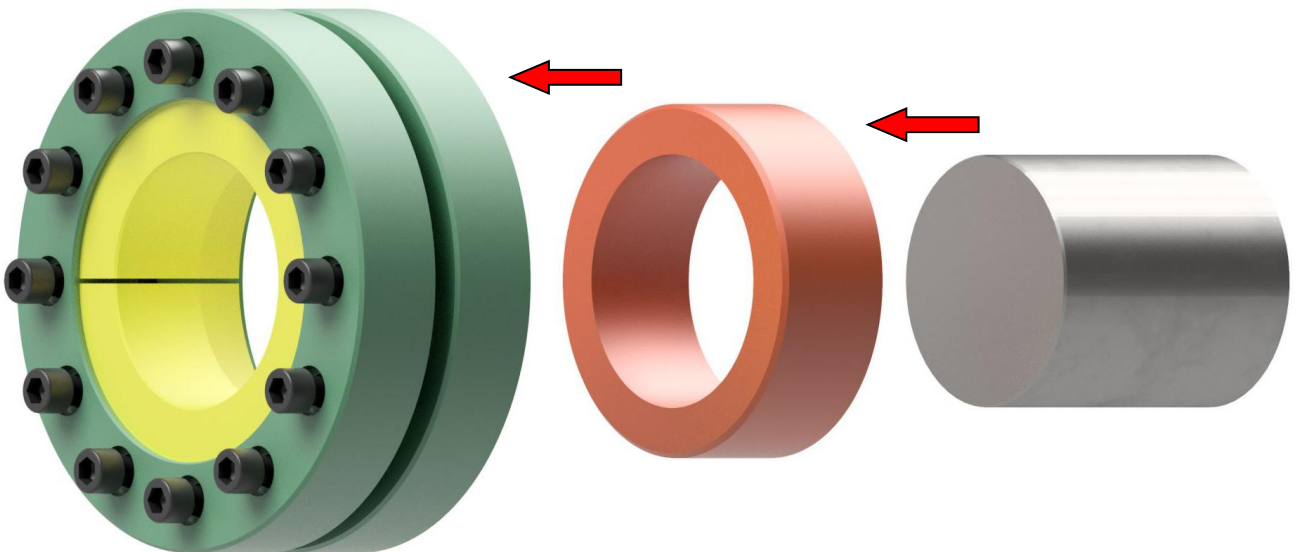
Loosen all screws evenly one after the other.  
Several turns are necessary until all screws are loosened.  
Do not unscrew the screws completely.

The cones are not self-locking and loosen when the screws are released.



### 4.

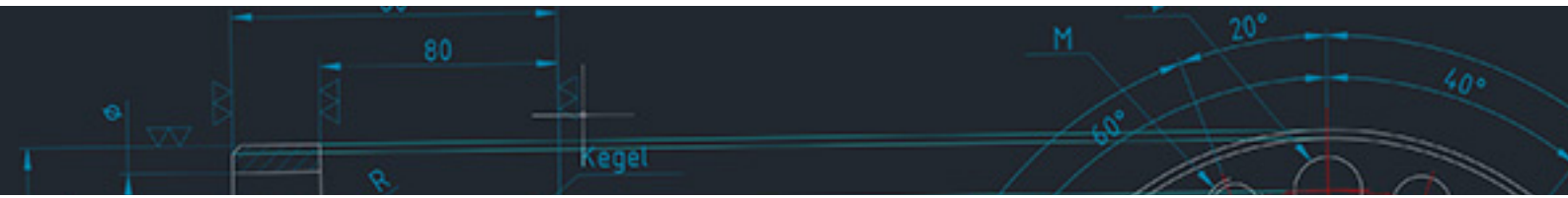
Remove the shrink disk from the hub and the hub from the shaft.



### Reusability

Undamaged locking assemblies can be reused.

**The screws must be changed after each use!**



## **BIKON-Technik GmbH**

Hansemannstrasse 11

41468 Neuss • Germany

Tel. ++49 (0) 2131-71889-0

[www.bikon.de](http://www.bikon.de)

E-Mail [info@bikon.de](mailto:info@bikon.de)