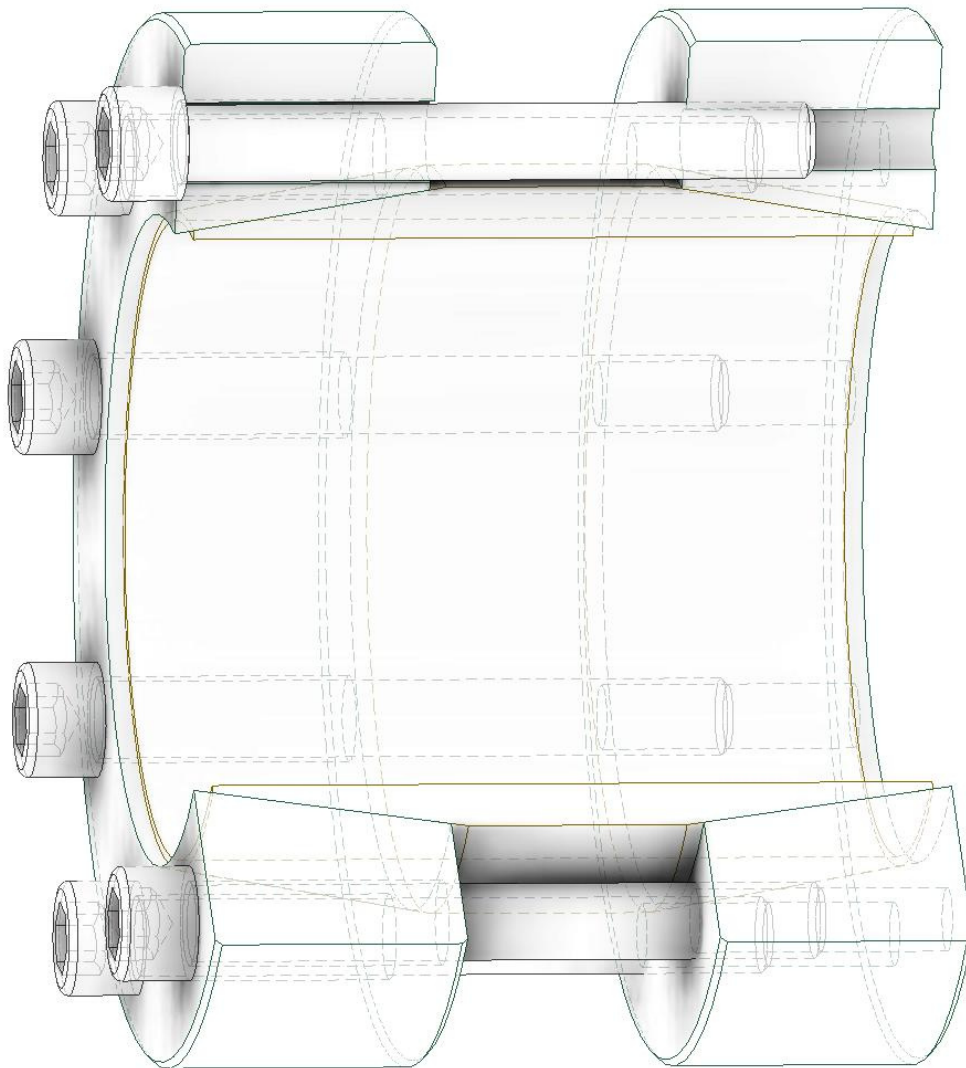


**BIKON 9500**  
Installation Manual



Only available from BIKON-Technik GmbH • 41468 Neuss • Germany

## Index:

We reserve all rights with regard to this technical data and its content. Without our prior written approval it is not allowed to duplicate this technical data or parts of it, nor to grant access to it by third parties or to exploit it otherwise (including extracts) without authority.

All topics and specification dealt with are only valid for original „BIKON“ or „DOBIKON“ products.

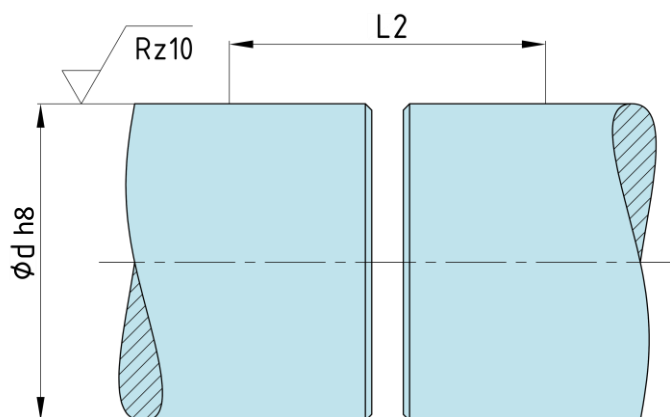
We will not accept any liability for damages arising from misinterpretation, application or constructional flaws (regarding equipment wherein our products shall be installed). All information is based upon our knowledge of the current state of the art at the draft date of this technical data.

We refer to our trademark and further intellectual property rights as well as our conditions of sale that shall apply.

April 2023

## Shafts with keyways

BIKON shaft couplings can be tightened over keyways (according to DIN) on shafts. The function of the shaft couplings is not affected.



## Space - BIKON 9500

d	L2	d	L2
mm	mm	mm	mm
10	42	35	75
11	42	38	75
12	42	40	75
15	50	42	75
16	50	45	85
17	50	48	85
18	50	50	85
19	50	55	85
20	50	60	85
22	60	65	85
24	60	68	85
25	60	70	100
28	60	75	100
30	60	80	100
32	60		

## TA – Tightening torque of screws

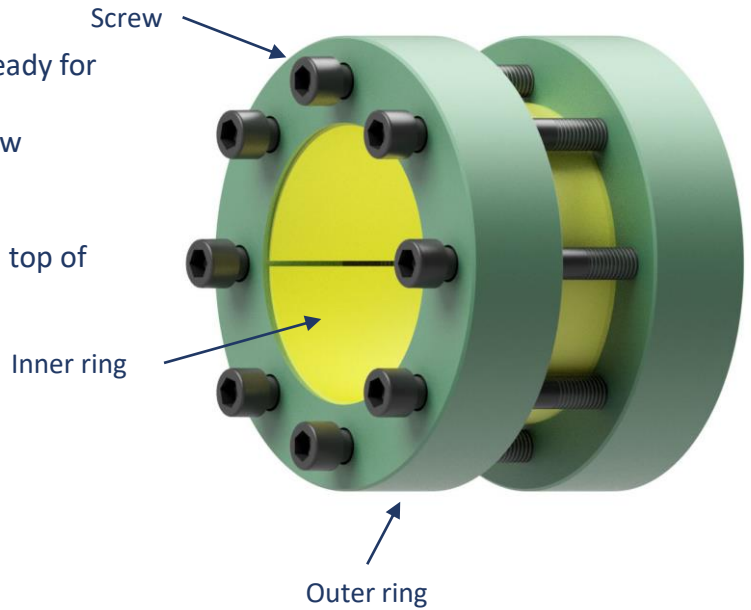
d	M	TA	d	M	TA
mm	-	Nm	mm	-	Nm
10	M4	4,9	35	M8	41
11	M4	4,9	38	M8	41
12	M4	4,9	40	M8	41
15	M6	17	42	M8	41
16	M6	17	45	M8	41
17	M6	17	48	M8	41
18	M6	17	50	M8	41
19	M6	17	55	M8	41
20	M6	17	60	M8	41
22	M6	17	65	M8	41
24	M6	17	68	M8	41
25	M6	17	70	M10	83
28	M6	17	75	M10	83
30	M6	17	80	M10	83
32	M6	17			

## Installation

### 1.

BIKON shaft couplings are delivered ready for installation and oiled.  
The screws have been unscrewed a few threads.

Make sure that the rings fit loosely on top of each other.



### 2.

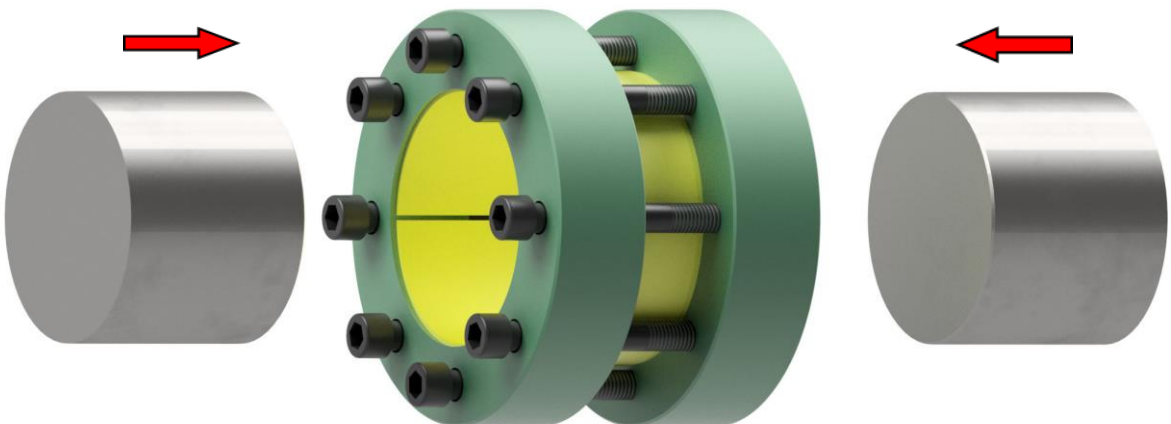
Before pushing on the shaft coupling, the shaft ends and bore of the shaft coupling can be degreased.

If the shaft and bore are oiled, the values for the torque  $T_{0,12}$  apply.

With a degreased shaft and bore, the values for the torque  $T_{0,15}$  apply.

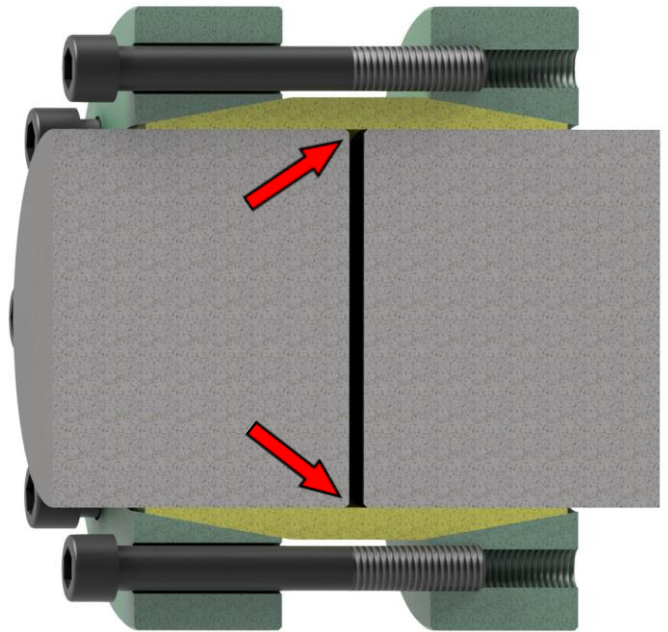
**Oil the cones and screws.**

**Do not use molybdenum disulfide (MoS<sub>2</sub>), assembly paste or grease!**



## Installation

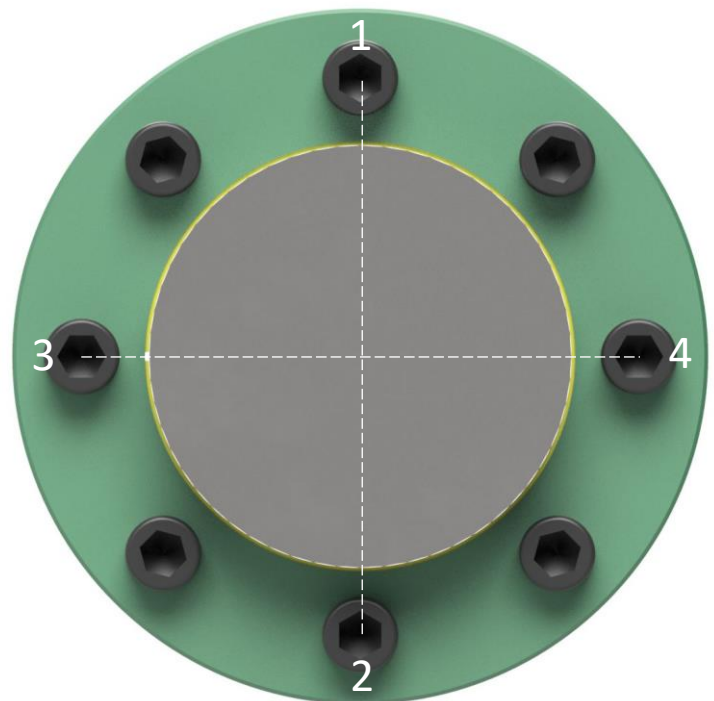
- 3.**  
Make sure the shaft coupling is centered on the shaft ends.



- 4.**  
Tighten the screws evenly crosswise and in several stages using a torque wrench.

**control !**

The tightening of the screws and the assembly is complete when no more screws can be tightened with the 100% tightening torque.

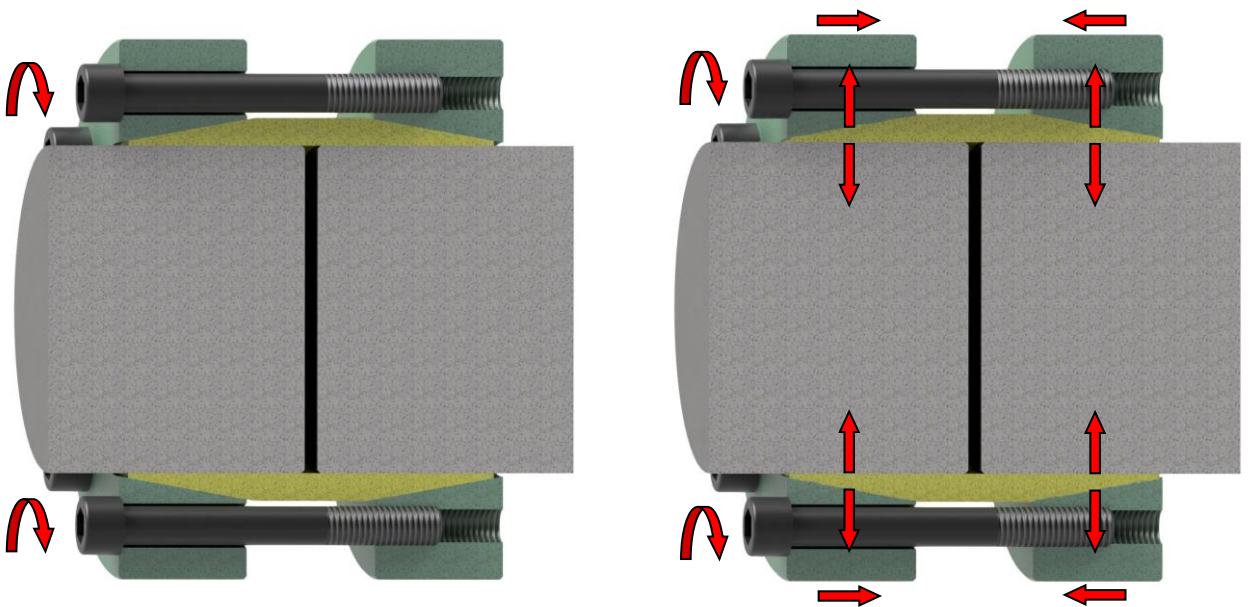


## Installation

5.

By tightening the screws, the outer rings slides and tightens the connection. The cones are not self-locking.

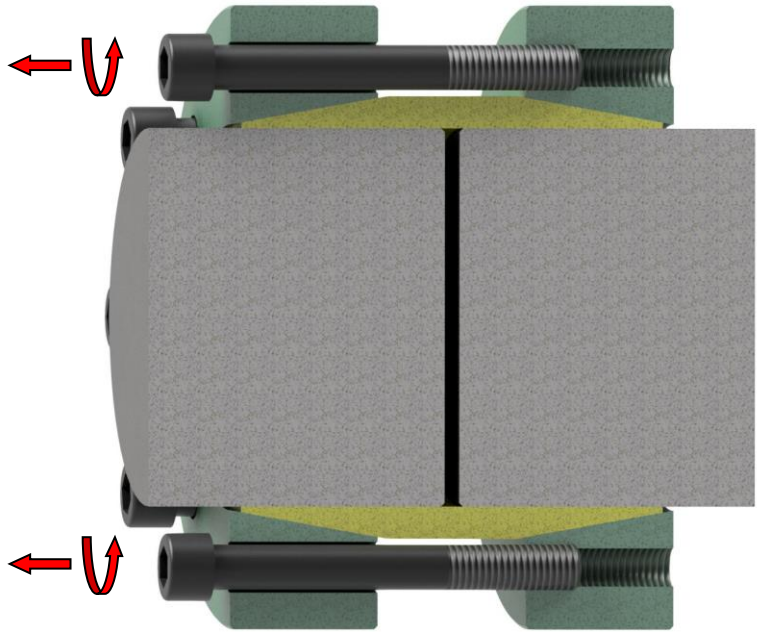
The shaft end does not move in the axial direction during assembly.



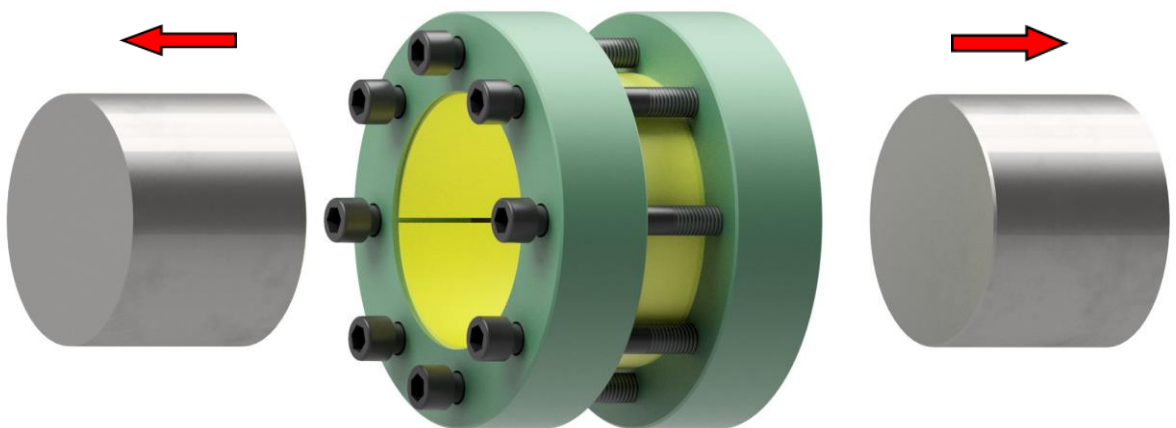
The shaft coupling is maintenance-free.

## Removal

1. Release the screw for a few turns.  
The outer rings removes by itself – not self-locking cones.



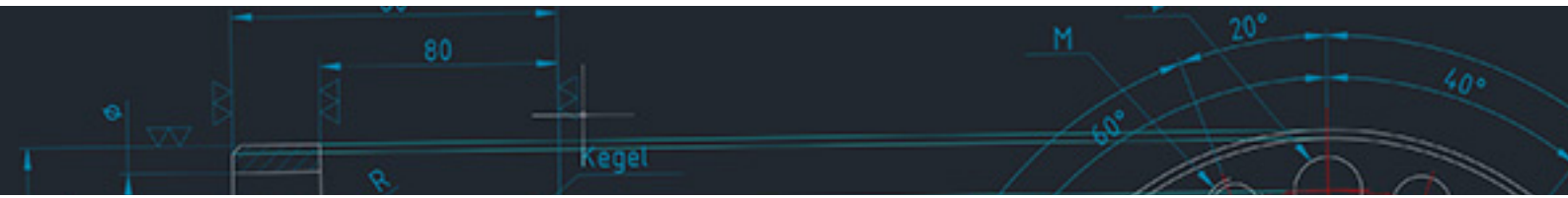
2. Remove the shaft coupling from the shaft ends.



## Reusability

Undamaged locking assemblies can be reused.

**The screws must be changed after each use!**



# BIKON-Technik GmbH

Hansemannstrasse 11

41468 Neuss • Germany

Tel. ++49 (0) 2131-71889-0

[www.bikon.de](http://www.bikon.de)

E-Mail [info@bikon.de](mailto:info@bikon.de)