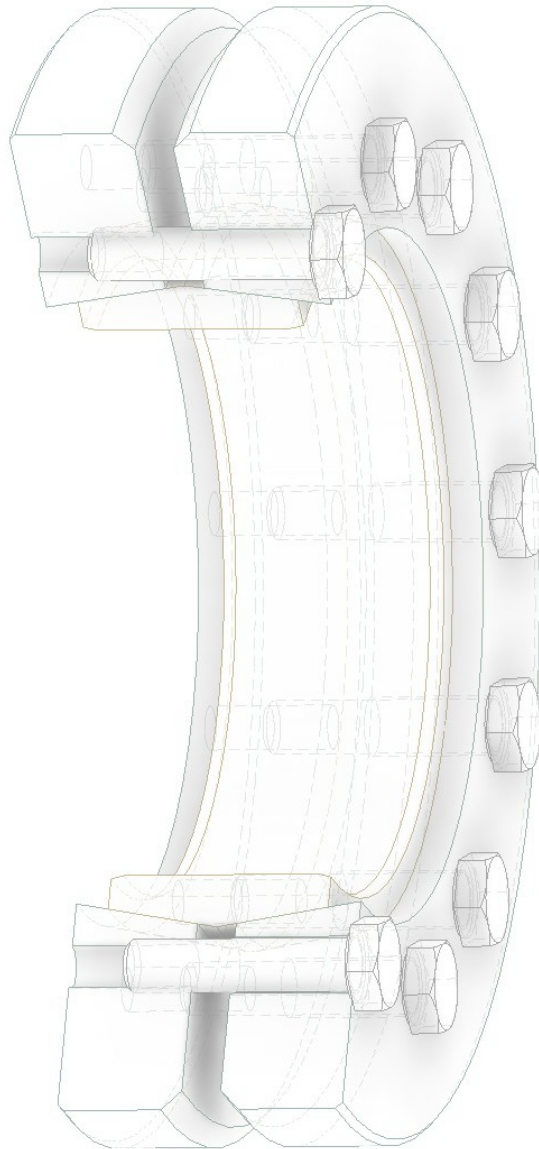


BIKON 1029
Installation Manual



Only available from BIKON-Technik GmbH • 41468 Neuss • Germany

Index:

We reserve all rights with regard to this technical data and its content. Without our prior written approval it is not allowed to duplicate this technical data or parts of it, nor to grant access to it by third parties or to exploit it otherwise (including extracts) without authority.

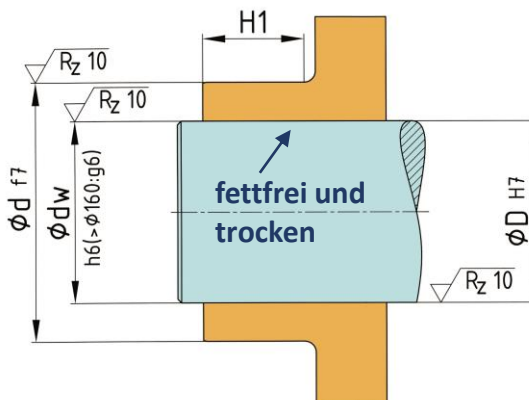
All topics and specification dealt with are only valid for original „BIKON“ or „DOBIKON“ products.

We will not accept any liability for damages arising from misinterpretation, application or constructional flaws (regarding equipment wherein our products shall be installed). All information is based upon our knowledge of the current state of the art at the draft date of this technical data.

We refer to our trademark and further intellectual property rights as well as our conditions of sale that shall apply.

April 2023

Space - BIKON 1029



d	D	H1
mm	mm	mm
125	190	51
140	220	51
155	245	51
165	260	62
175	275	62
185	295	62

d	D	H1
mm	mm	mm
195	315	72
220	345	84
240	370	84
260	395	92
280	425	104

TA – Tightening torque of screws

d	M	TA
mm	-	Nm
125	M10	58
140	M10	58
155	M10	58
165	M12	100
175	M12	100
185	M12	100

d	M	TA
mm	-	Nm
195	M12	100
220	M16	240
240	M16	240
260	M16	240
280	M16	240

Installation

1.

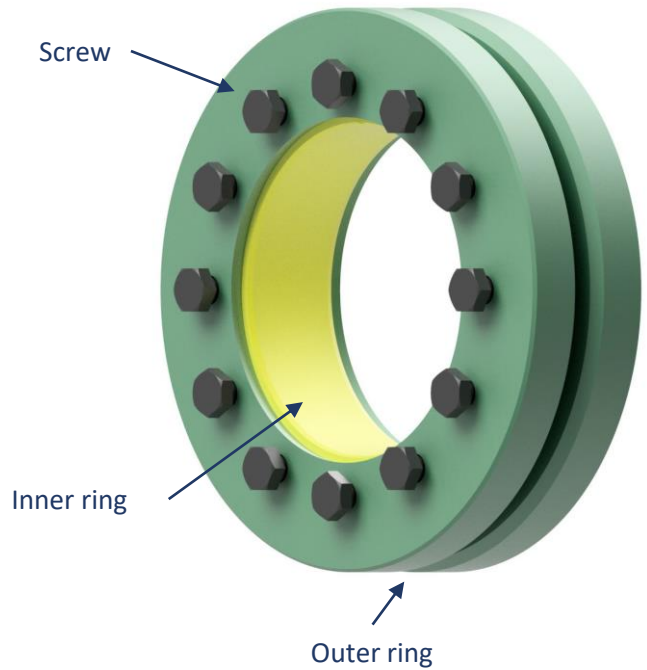
BIKON 1029 are delivered ready for installation.

The screws and cones are lubricated with Molykote (MoS₂).

The screws have been unscrewed a few threads.

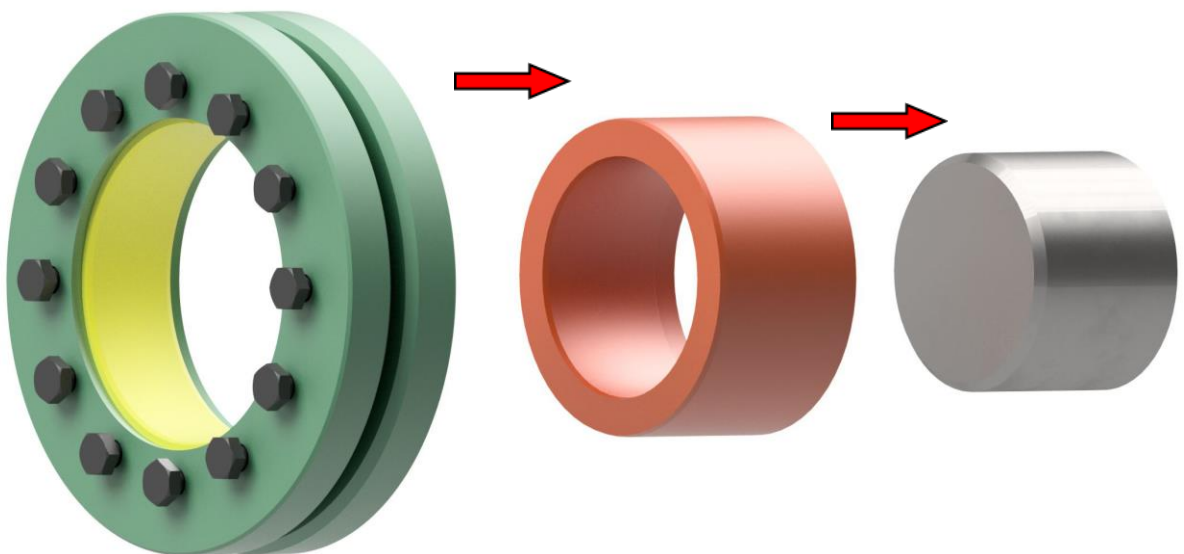
Make sure that the rings fit loosely on top of each other.

The cones are not self-locking.

**2.**

Join the shaft and inner bore of the hub dry and free of grease.
Slide the shrink disk (oiled) onto the hub.

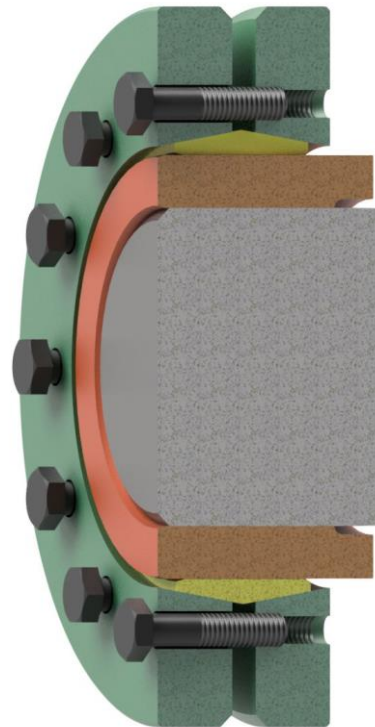
(The joint between the hub and the inner ring of the shrink disk can be oiled.)



Installation

3.

The hub and shrink disc must not protrude over the shaft.
Minimum flush fit required.

**4.**

Tighten the screws evenly one after the other using a torque wrench (not crosswise).

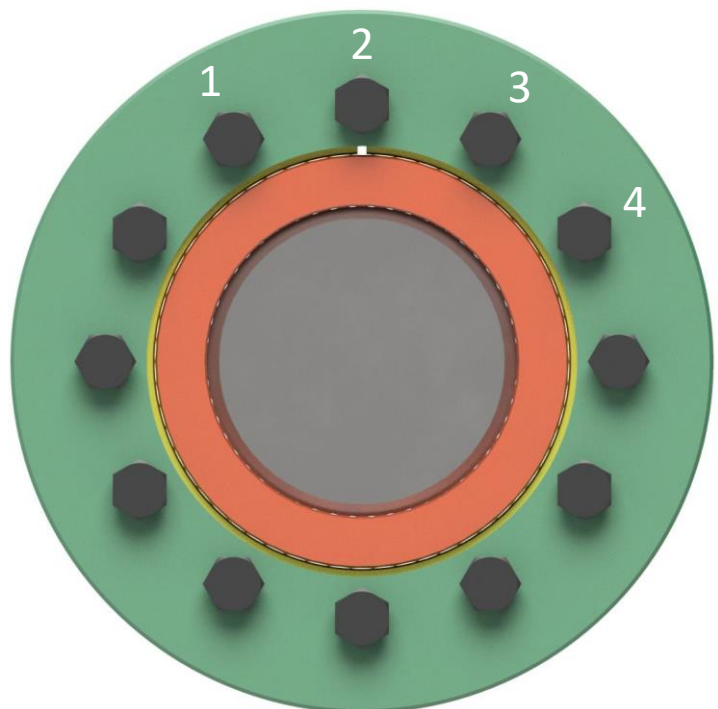
Pay attention to parallel outer rings, avoid tilt. A tightening angle of 30° - 60° has proven practical.

control !

The tightening of the screws and the assembly is complete when no more screws can be tightened with the 100% tightening torque.

Attention !

Do not clamp a shrink disc without an installed shaft, otherwise plastic deformation of the hub is possible.

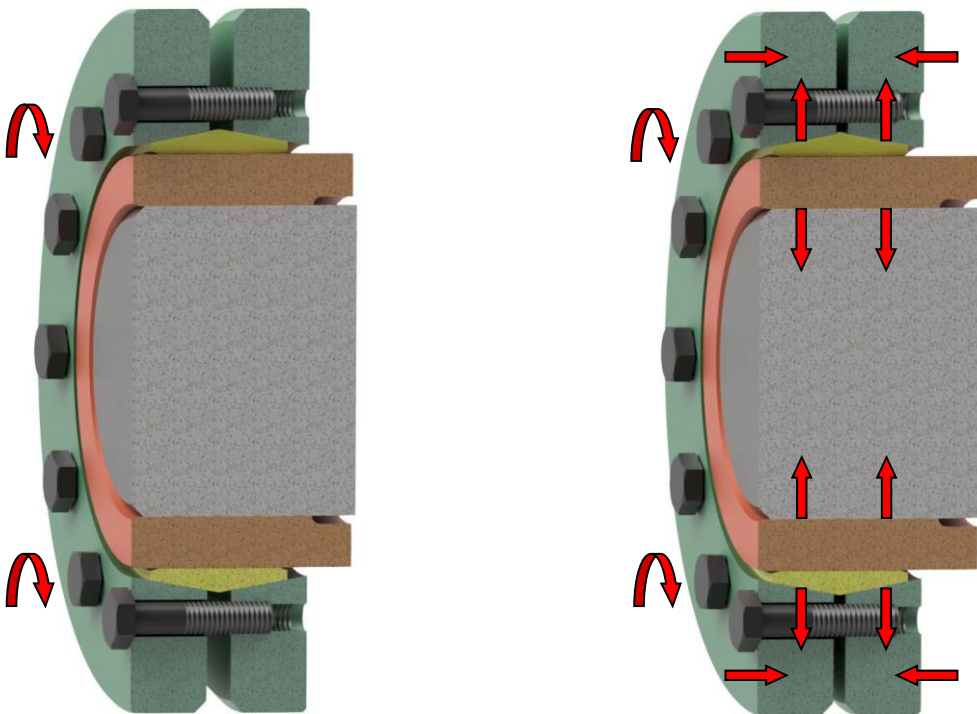


Installation

5.

By tightening the screws, the outer rings slides and tightens the connection. The cones are not self-locking

The hub does not move in the axial direction during assembly.



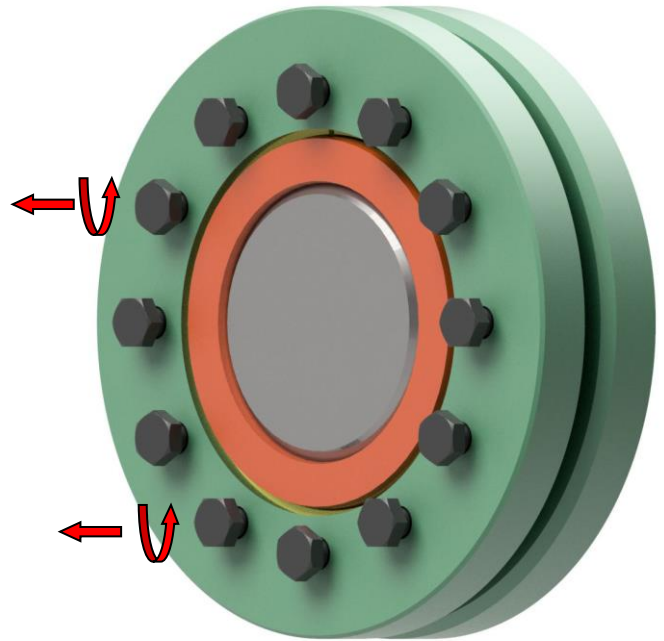
The shrink disk is maintenance-free.

Removal

1.

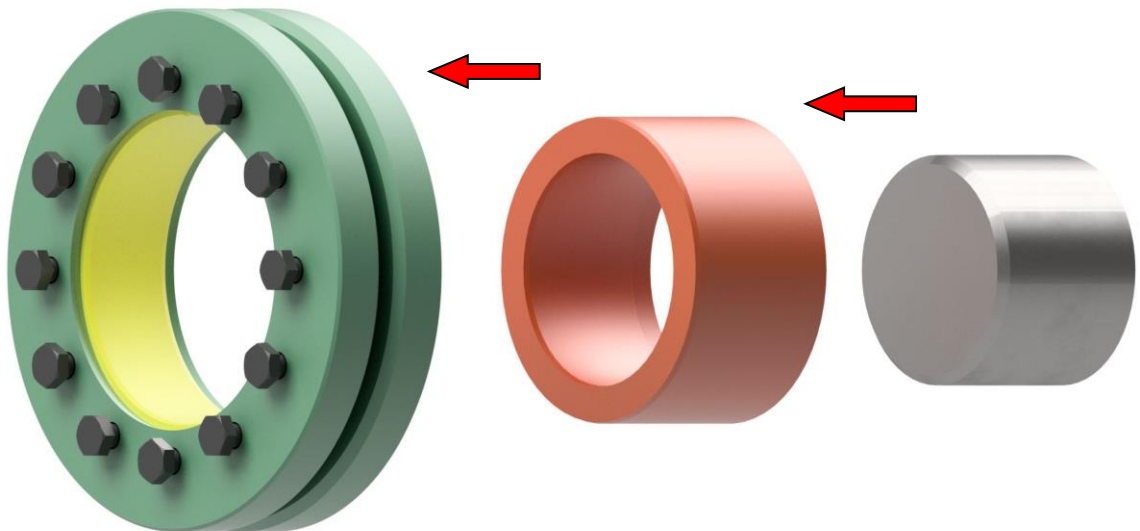
Loosen all screws evenly one after the other.
Several turns are necessary until all screws are loosened.
Do not unscrew the screws completely.

The cones are not self-locking and loosen when the screws are released.



2.

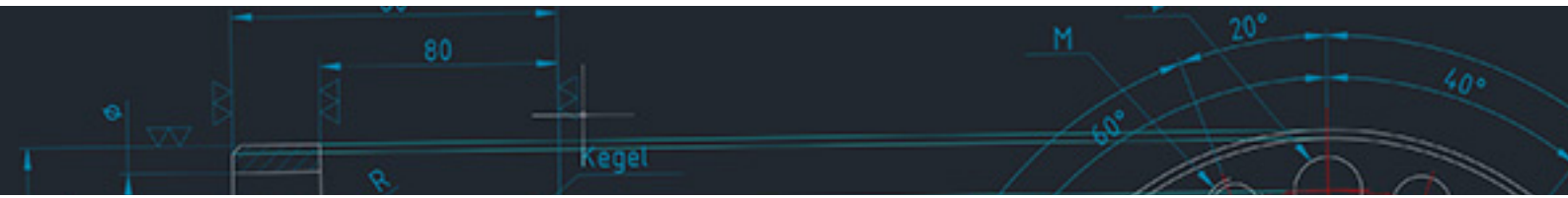
Remove the shrink disk from the hub and the hub from the shaft.



Reusability

Undamaged locking assemblies can be reused.

The screws must be changed after each use!



BIKON-Technik GmbH

Hansemannstrasse 11

41468 Neuss • Germany

Tel. ++49 (0) 2131-71889-0

www.bikon.de

E-Mail info@bikon.de