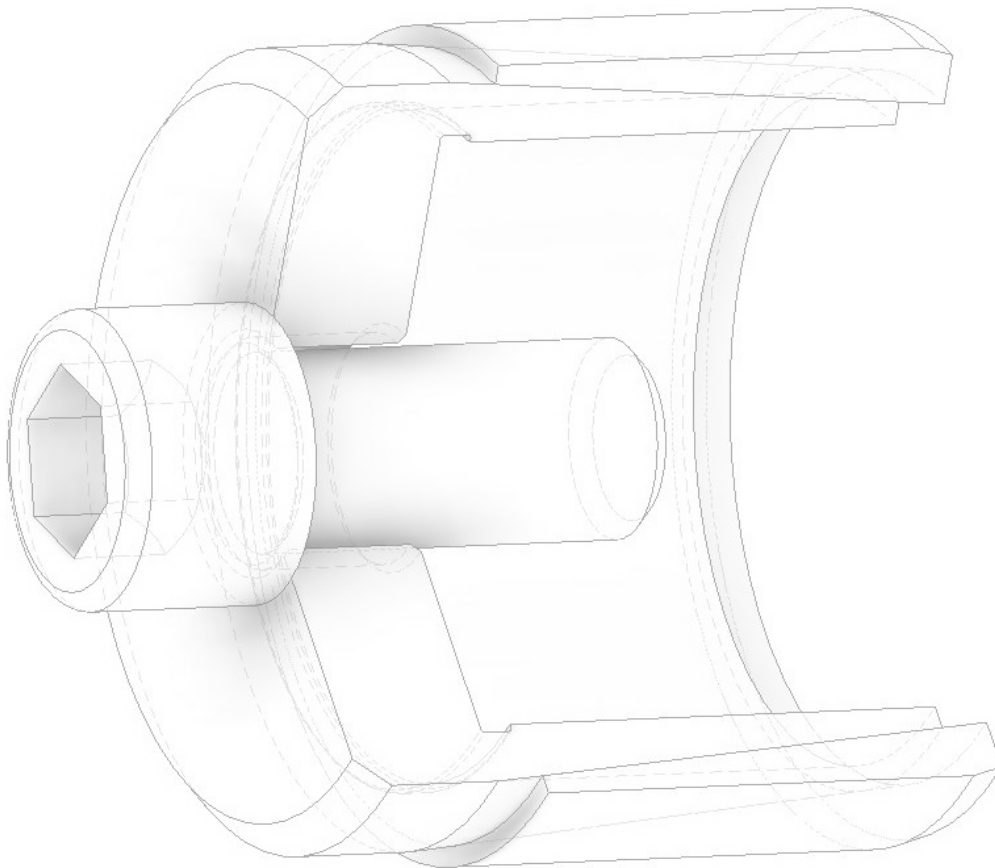


BIKON 1016
Installation Manual



Only available from BIKON-Technik GmbH • 41468 Neuss • Germany

A Development of BIKON-Technik GmbH - introduction on global market in year 1973

Index:

We reserve all rights with regard to this technical data and its content. Without our prior written approval it is not allowed to duplicate this technical data or parts of it, nor to grant access to it by third parties or to exploit it otherwise (including extracts) without authority.

All topics and specification dealt with are only valid for original „BIKON“ or „DOBIKON“ products.

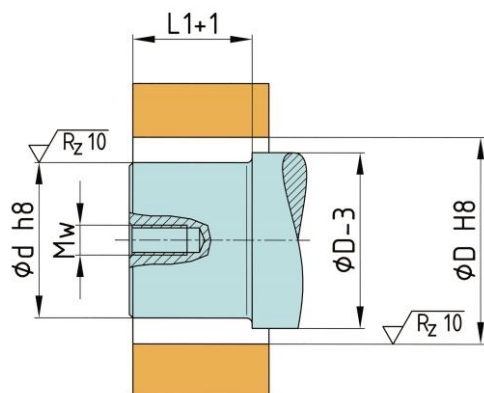
We will not accept any liability for damages arising from misinterpretation, application or constructional flaws (regarding equipment wherein our products shall be installed). All information is based upon our knowledge of the current state of the art at the draft date of this technical data.

We refer to our trademark and further intellectual property rights as well as our conditions of sale that shall apply.

March 2023

Shafts with keyways

BIKON Locking assemblies can be tightened over keyways (according to DIN) on shafts. The function of the locking assembly is not affected. **Keyways in the hub are not allowed !**



Space - BIKON 1016

d	D	L1	d	D	L1
mm	mm	mm	mm	mm	mm
13	22	12	24	36	24
14	22	12	25	36	24
15	22	12	28	36	24
16	25	12	30	48	30
17	22	18	32	48	30
18	28	18	35	48	30
19	28	18	38	48	30
20	28	18	40	50	30
22	36	24			

TA – Tightening torque of screws

d	Mw	TA	TA	TA
mm	-	Nm	Nm	Nm
	Güte:	8.8	10.9	12.9
13	M6	10	14	17
14	M6	10	14	17
15	M6	10	14	17
16	M6	10	14	17
17	M8	25	35	41
	M10	40	69	83
18	M8	25	35	41
	M10	49	69	83
19	M8	25	35	41
	M10	49	69	83
20	M8	25	35	41
	M10	49	69	83
22	M10	49	69	83
	M12	86	120	145
24	M10	49	69	83
	M12	86	120	145

d	Mw	TA	TA	TA
mm	-	Nm	Nm	Nm
	Güte:	8.8	10.9	12.9
25	M10	49	69	83
	M12	86	120	145
28	M10	49	69	83
	M12	86	120	145
30	M12	86	120	145
	M14	135	190	230
32	M12	86	120	145
	M14	135	190	230
35	M12	86	120	145
	M14	135	190	230
38	M12	86	120	145
	M14	135	190	230
40	M12	86	120	145
	M14	135	190	230

Please note !

Due to the possible use of different screw classes, it must always be clarified with the technical department which screw class was selected depending on the performance data to be transmitted, in order not to overload the hubs.

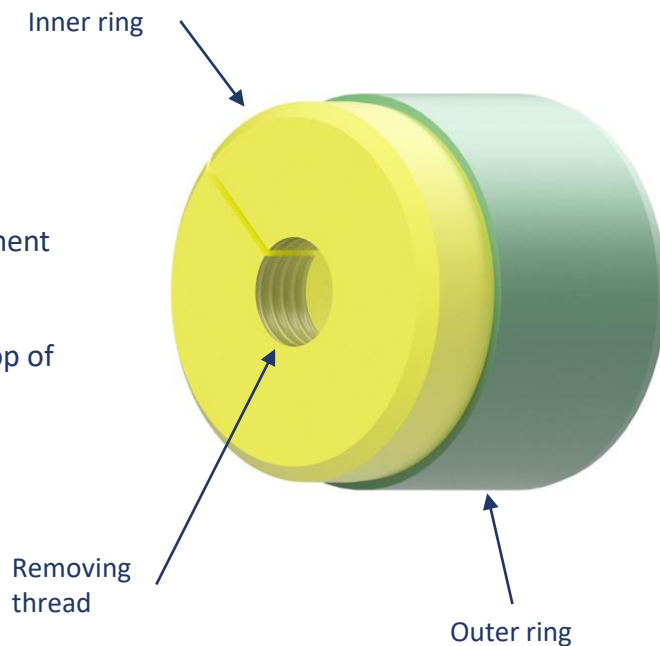
Installation

1.

BIKON 1016 are delivered oiled.

The screw is not included.
Please clarify with the technical department
which screw size and class is to be used.

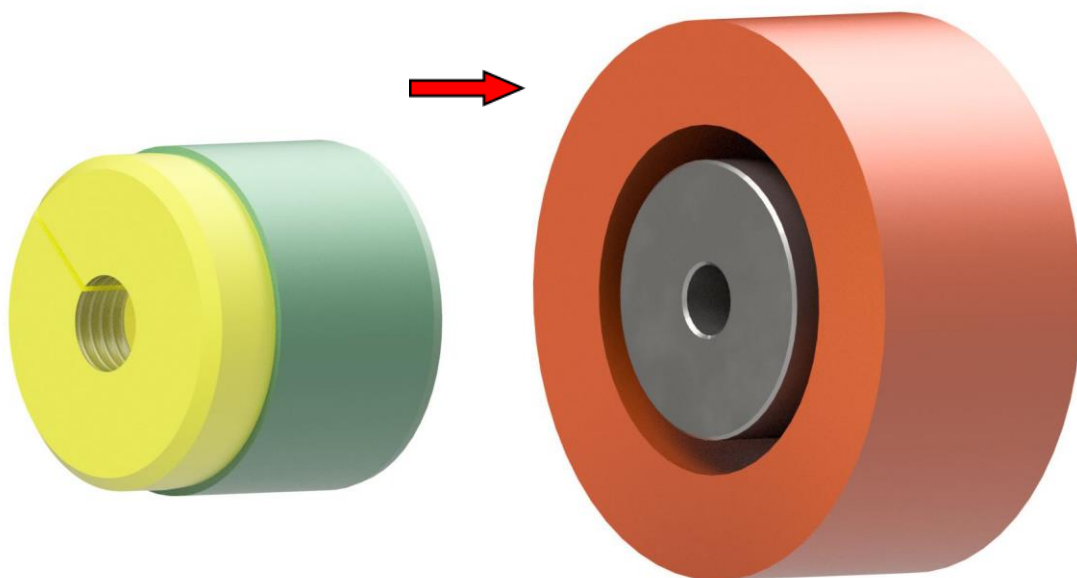
Make sure that the rings fit loosely on top of
each other (self-locking cone).



2.

Oil the shaft and hub and push the locking assembly into
the installation space.

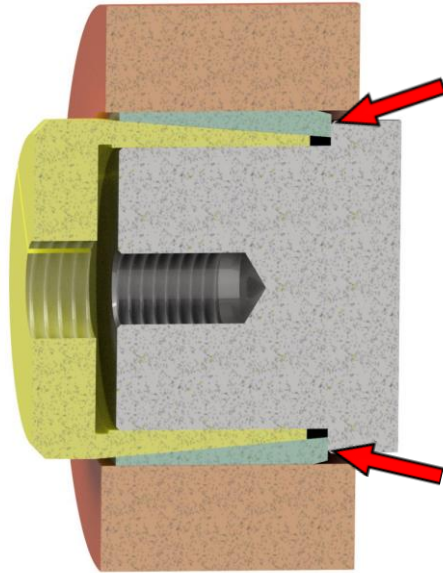
**Do not use molybdenum disulfide (MoS₂), assembly
paste or grease!**



Installation

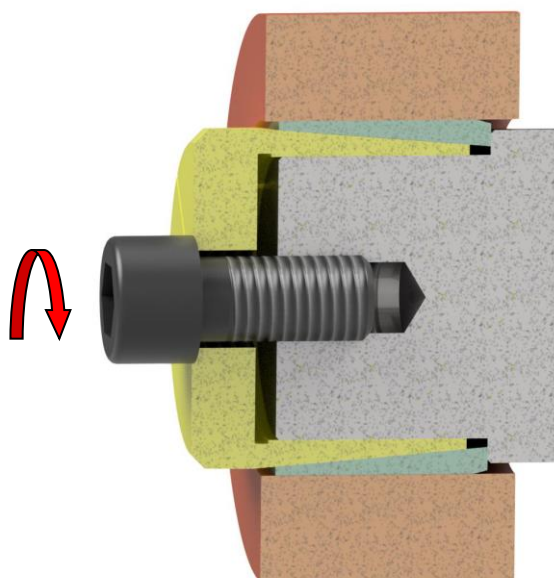
3.

The locking assembly (outer ring) must sit flush with the shaft collar.



4.

Insert the screw into the shaft and tighten to the specified tightening torque TA.

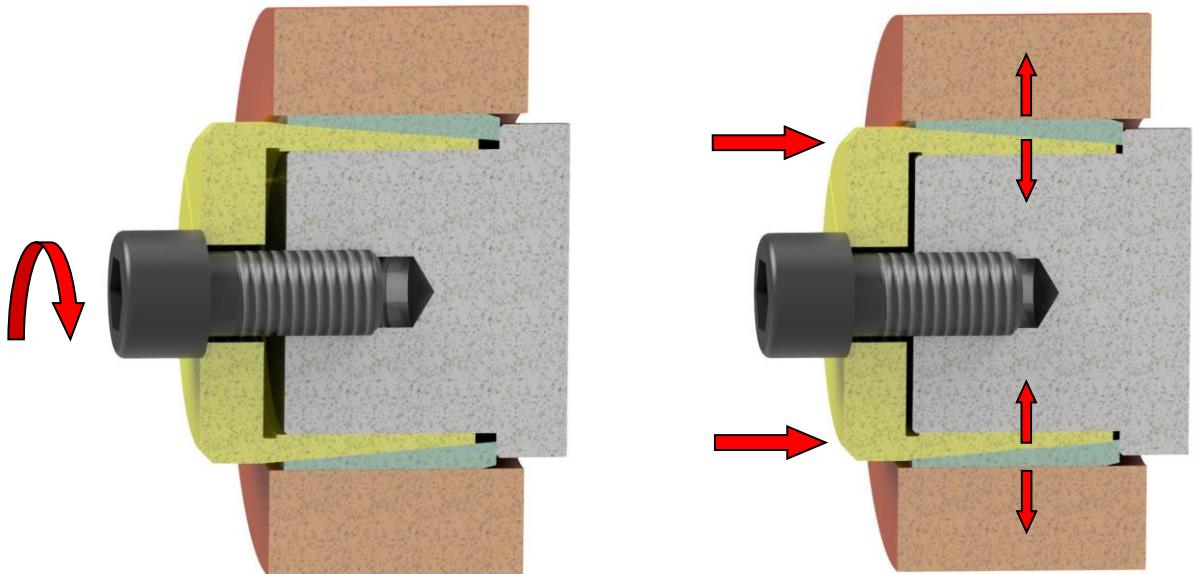


Installation

5.

By tightening the screw, the inner ring slides and tightens the connection. The cone is self-locking and will not loosen by itself if the screws are loosened if it is operated properly.

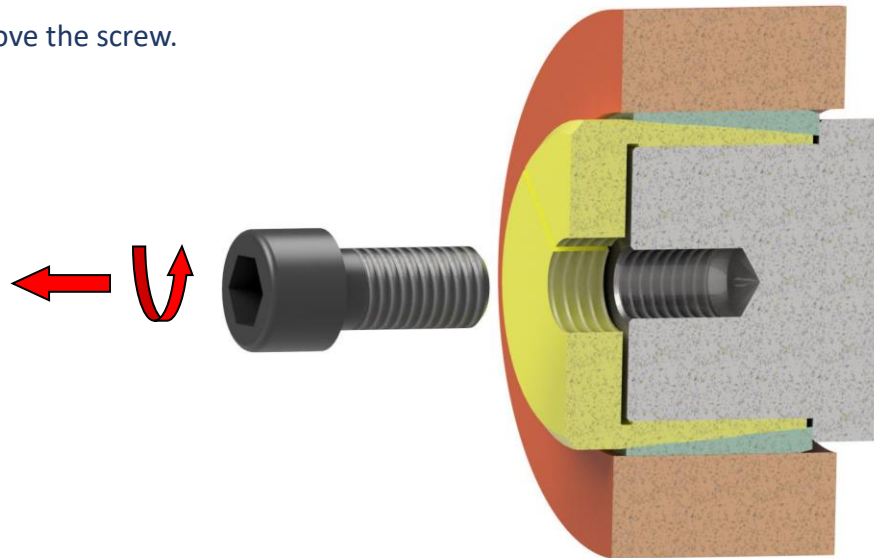
The hub does not move in the axial direction.



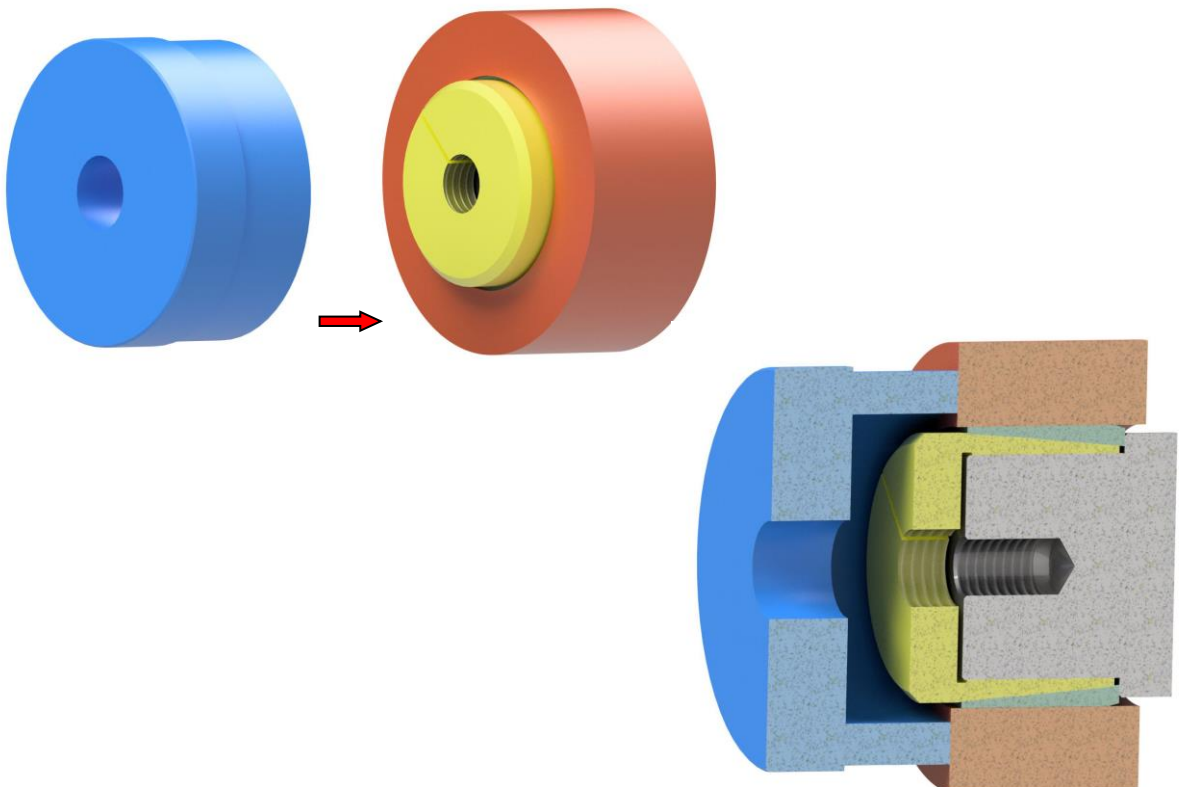
The locking assembly is maintenance-free and the screws do not have to be tightened after a certain period of operation.

Removal

1. Loosen and remove the screw.



2. Put on the sleeve / flange.

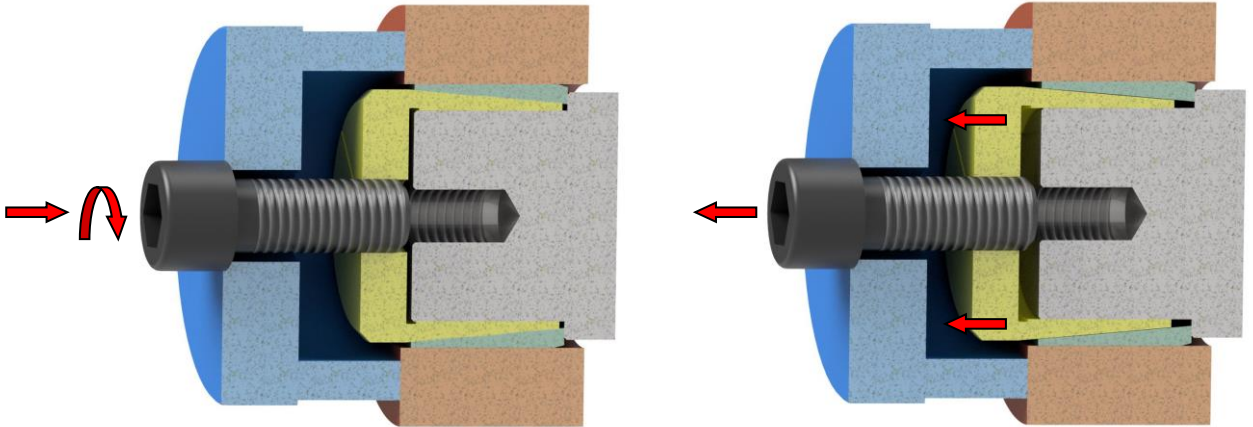


Removal

3.

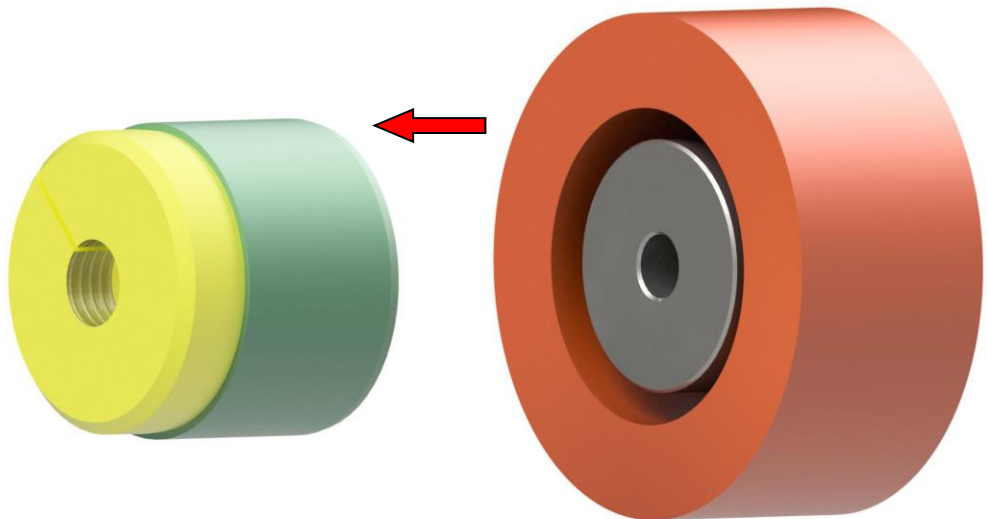
Insert the screw into the inner ring and tighten it.

The inner ring slides off the shaft and the assembly will be loosen.



4.

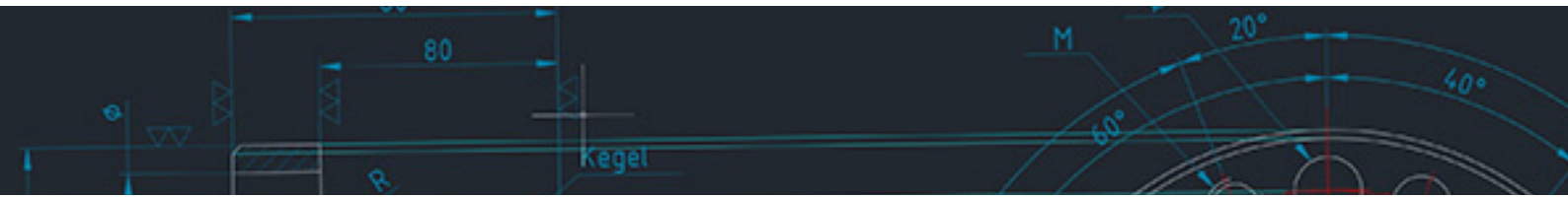
Remove the locking assembly from the space.



Reusability

Undamaged locking assemblies can be reused.

The screws must be changed after each use!



BIKON-Technik GmbH

Hansemannstrasse 11

41468 Neuss • Germany

Tel. ++49 (0) 2131-71889-0

www.bikon.de

E-Mail info@bikon.de